

### 18% EFFICIENCY

SunPower's signature black™ panels provide the highest efficiency for their product class and a sleek, black appearance

### TRANSFORMERLESS INVERTER COMPATIBILITY

Comprehensive inverter compatibility ensures that customers can pair the highest-efficiency panels with the highest-efficiency inverters, maximizing system output

### POSITIVE POWER TOLERANCE

Positive tolerance ensures customers receive the rated power or higher for every panel

### RELIABLE AND ROBUST DESIGN

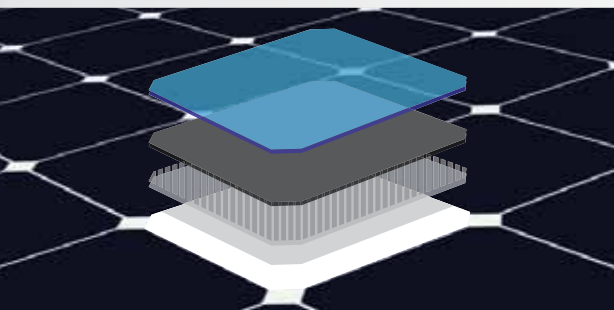
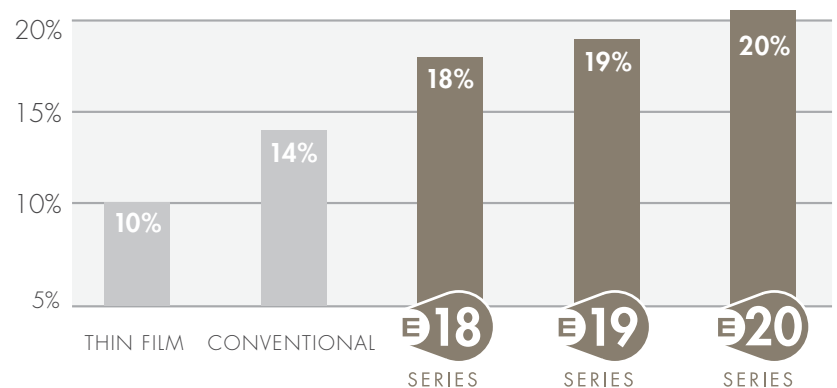
SunPower's unique Maxeon™ cell technology and advanced module design ensure industry-leading reliability



### THE WORLD'S STANDARD FOR SOLAR™

SunPower™ E18 Solar Panels provide today's high efficiency and performance. Powered by SunPower Maxeon™ cell technology, the E18 series provides panel conversion efficiencies of up to 18.5%. The E18's low voltage temperature coefficient and exceptional low-light performance attributes provide outstanding energy delivery per peak power watt.

### SUNPOWER'S HIGH EFFICIENCY ADVANTAGE



### MAXEON™ CELL TECHNOLOGY

Patented all-back-contact solar cell, providing the industry's highest efficiency and reliability.

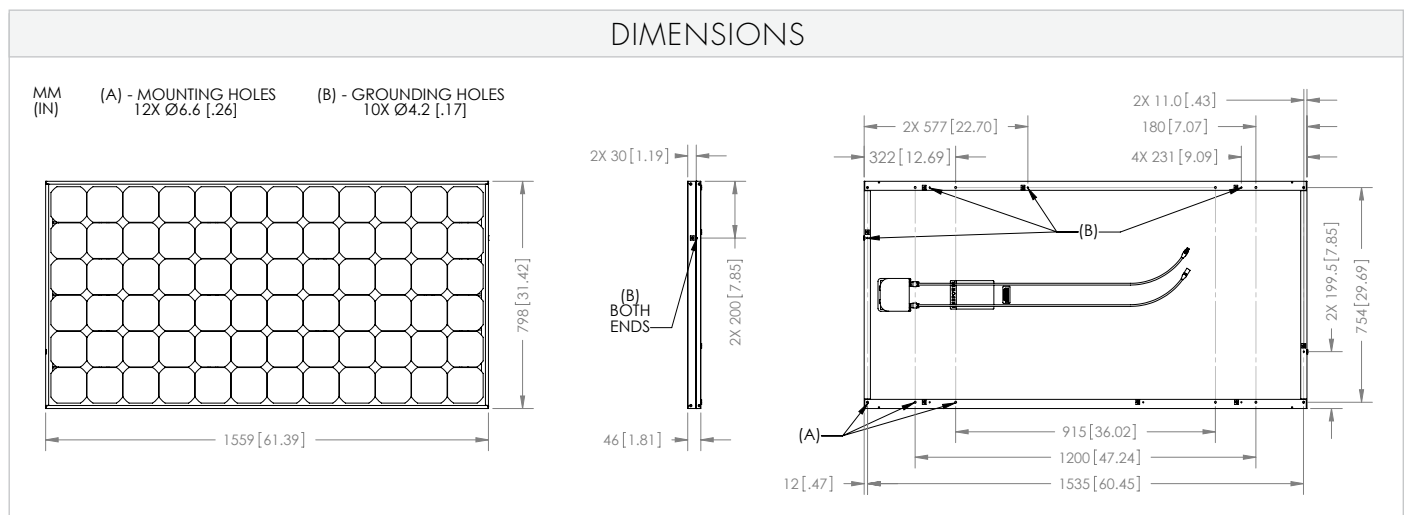


## MODELS: SPR-230NE-BLK-D, SPR-225NE-BLK-D

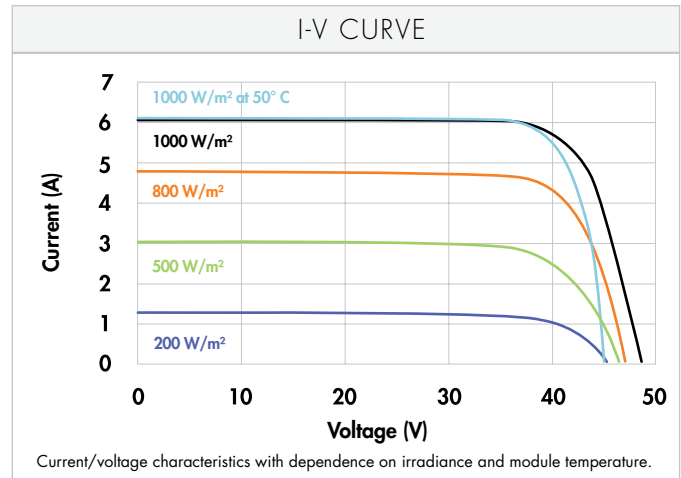
ELECTRICAL DATA			
Measured at Standard Test Conditions (STC): Irradiance 1000W/m <sup>2</sup> , AM 1.5, and cell temperature 25° C			
Nominal Power (+5/-0%)	P <sub>nom</sub>	230 W	225 W
Cell Efficiency	η	22.2%	21.7%
Panel Efficiency	η	18.5%	18.1 %
Rated Voltage	V <sub>mpp</sub>	40.5 V	40.5 V
Rated Current	I <sub>mpp</sub>	5.68 A	5.55 A
Open-Circuit Voltage	V <sub>oc</sub>	48.2 V	48.0 V
Short-Circuit Voltage	I <sub>sc</sub>	6.05 A	5.93 A
Maximum System Voltage	IEC	1000 V	
Temperature Coefficients	Power (P)	- 0.38%/K	
	Voltage (V <sub>oc</sub> )	-132.5mV/K	
	Current (I <sub>sc</sub> )	3.5mA /K	
NOCT		46°C +/- 2°C	
Series Fuse Rating		20 A	
Limiting Reverse Current (3 strings)	I <sub>r</sub>	15.1 A	14.8 A
Grounding		Positive grounding not required	

ELECTRICAL DATA			
Measured at Nominal Operating Cell Temperature (NOCT): Irradiance 800W/m <sup>2</sup> , 20° C, wind 1 m/s			
Nominal Power	P <sub>nom</sub>	170 W	166 W
Rated Voltage	V <sub>mpp</sub>	37.2 V	37.2 V
Rated Current	I <sub>mpp</sub>	4.57 A	4.47 A
Open-Circuit Voltage	V <sub>oc</sub>	45.0 V	44.8 V
Short-Circuit Voltage	I <sub>sc</sub>	4.90 A	4.80 A

MECHANICAL DATA			
Cells	72 SunPower Maxeon™ cells		
Front Glass	High-transmission tempered glass		
Junction Box	IP-65 rated with 3 bypass diodes		
	32 x 155 x 128 mm		
Output Cables	1000 mm cables / Multi-Contact (MC4) connectors		
Frame	Anodised aluminium alloy type 6063 (black)		
Weight	15.0 kg		



Please read safety and installation instructions before using this product, visit [sunpowercorp.com](http://sunpowercorp.com) for more details.



TESTED OPERATING CONDITIONS	
Temperature	- 40° C to +85° C
Max load	550 kg/m <sup>2</sup> (5400 Pa), front (e.g. snow) w/specifed mounting configurations 245 kg/m <sup>2</sup> (2400 Pa) front and back (e.g. wind)
Impact Resistance	Hail: 25 mm at 23 m/s

WARRANTIES AND CERTIFICATIONS	
Warranties	25-year limited power warranty 10-year limited product warranty
Certifications	IEC 61215 Ed. 2, IEC 61730 (SCII)